

DC Analogue Amplifier 5/100, 10/100 and 20/100



The TRM Range of Analogue Amplifier is a breakthrough in amplifier technology. Utilising the latest in electronic techniques, this compact current mode amplifier is capable of driving brushed DC Servo motors continuously at 100 volts and upto 20 amps depending on the model. Using the latest technology has enabled TRM to produce a small and very competitive amplifier.

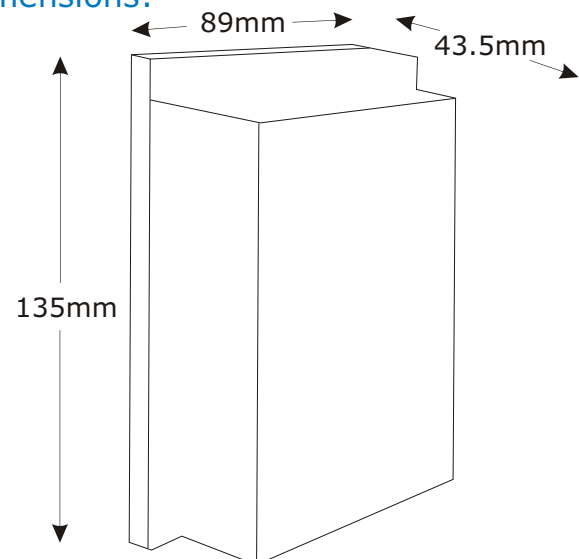
Easily capable of fulfilling most applications requirements, the 10/100 is built onto a large heatsink and is enclosed in a case that also acts as a mounting bracket.

Connections are made via two connectors, one for the low voltage signals and the other for the higher voltage motor supply and drive connections.

The DC analogue amplifier has all the major features expected: Gain, Offset, Current limit control, Enable and Error indicators and a ± 10 volt input signal range. The opto-isolated amplifier enable signal is capable of being driven high or low depending on the users application.

- 24 to 80 volts DC input range (maximum 100 volts)
- 10 Amps maximum continuous
- Adjustable current limit
- Adjustable null offset
- Adjustable gain control
- Enable and Error indicators
- Current mode operation
- ± 10 volt command signal
- All functions clearly identified and easily accessible
- Enable High or Enable Low
- Built in heatsink*
- Mounting via four 4mm slots
- Current sense output 0-2.5 volts

Dimensions:



*Cooling is dependant upon each particular situation - ambient temperature, quantity of other heat generating devices etc.

10/100 and 20/100 DC Analogue Amplifier

Quality by Design

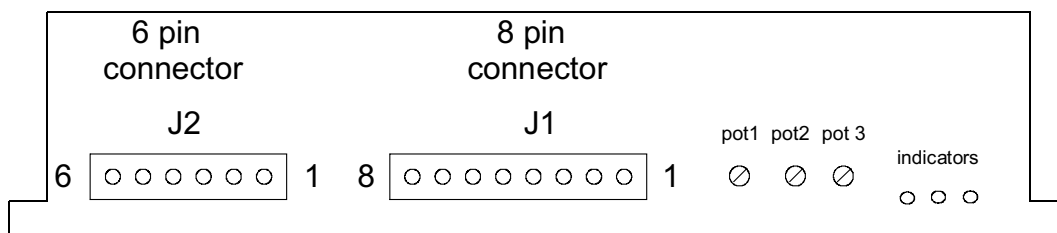
SPECIFICATIONS:

Power Stage Specifications	10/100 Amplifier	20/100 Amplifier
DC SUPPLY VOLTAGE	24-100 volts	24-100 volts
PEAK CURRENT	10 A	20 A
MAXIMUM CONTINUOUS CURRENT	10 A	20 A
MINIMUM LOAD INDUCTANCE	200 uH	200 uH
SWITCHING FREQUENCY	33 KHz	33 KHz
HEATSINK TEMPERATURE RANGE	0 - 70 C	0 - 70 C
OVER VOLTAGE PROTECTION	106 V	106 V
BANDWIDTH	Greater than 1 KHz	Greater than 1 KHz

Mechanical specifications:

POWER CONNECTOR	Screw terminals
SIGNAL CONNECTOR	Screw terminals
SIZE	135 x 89 x 43,5 millimetres
WEIGHT	395 g
MOUNTING	4 mm slots

Connectors and indicators:



Agent / Distributor:

TRM International Ltd.

86 Moss Road, Southport, Lancashire, PR8 4JQ

Tel: +44 (0) 1704 563777

Fax: +44 (0) 1704 565219

Web: www.trminternational.com

e-mail: sales@trminternational.com

www.trminternational.com